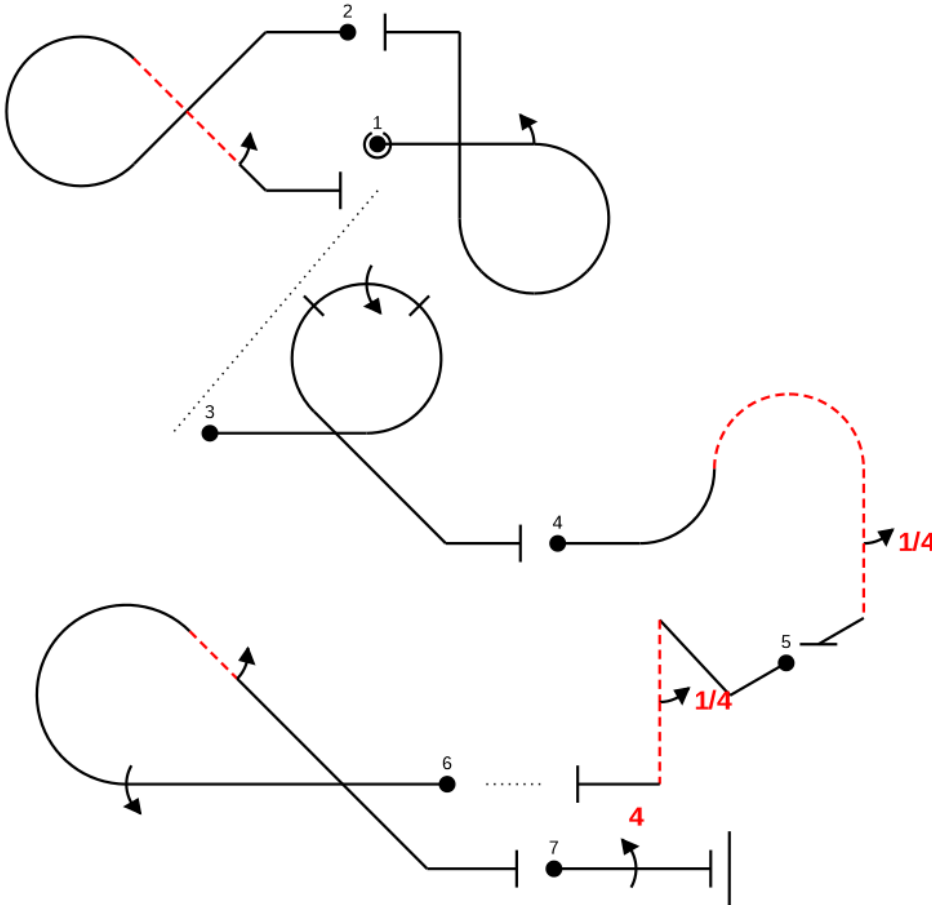
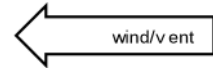




Oripää 2013		Form B
Pilot ID	advanced Programme unknown1	Flight #



Glider			
Fig 1	8.6.8.3 9.1.3.2	12 6	18
Fig 2	7.3.3.3 9.1.4.2	14 6	20
Fig 3	8.7.5.1 9.1.3.4	11 12	23
Fig 4	8.6.13.1 9.1.5.1	13 3	16
Fig 5	1.2.1.1 9.1.5.1	13 3	16
Fig 6	8.5.6.1 9.1.3.4 9.1.4.2	10 12 6	28
Fig 7	1.1.1.1 9.4.3.4	2 17	19
<b>Total K = 140</b>			

2ip ig2 [-11,13] q(1) pp4 1% t4 [-3,0] 2% 1c2. 44

Finnish proposal for unknown1  
pilot  
A/C