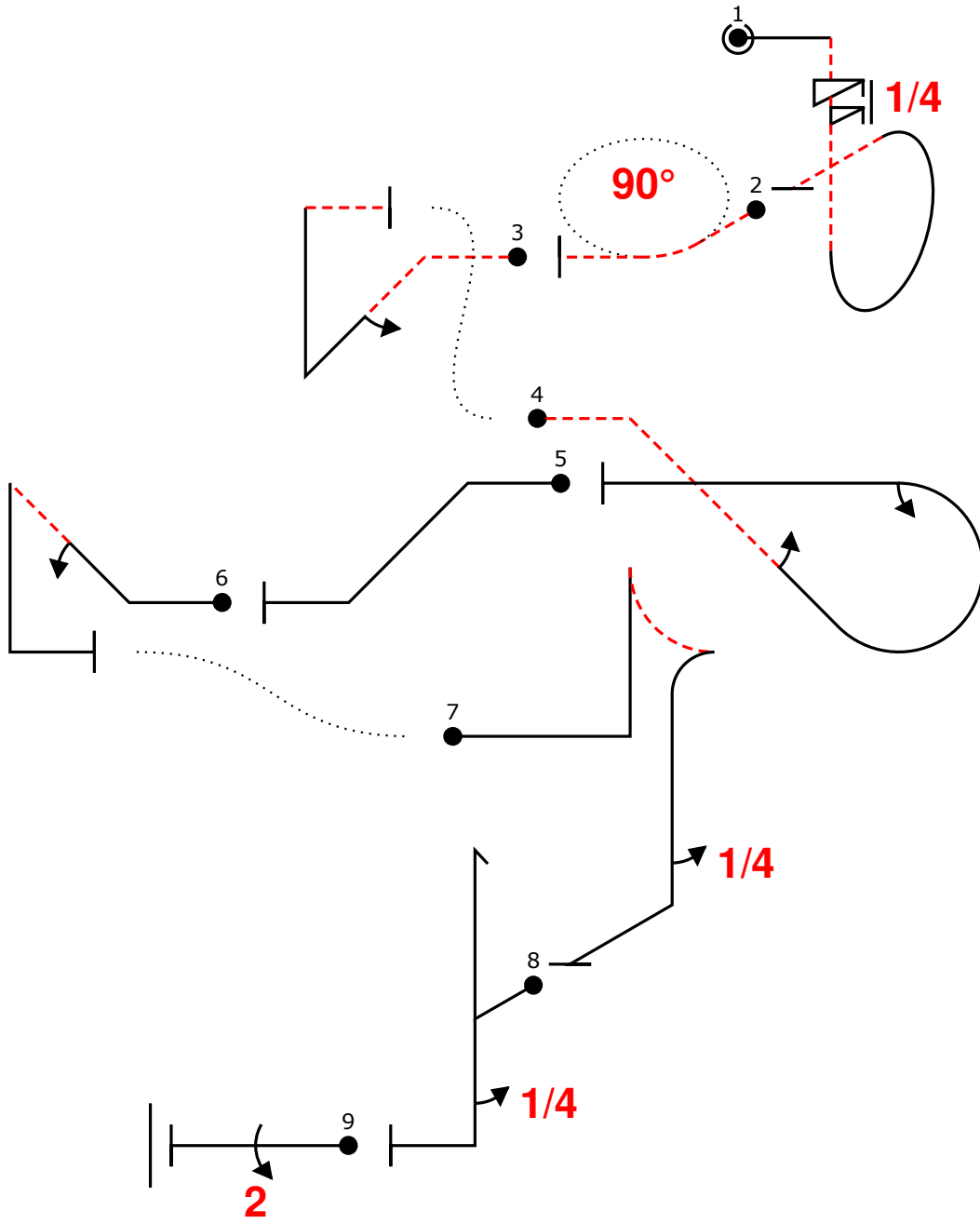
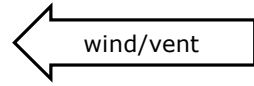


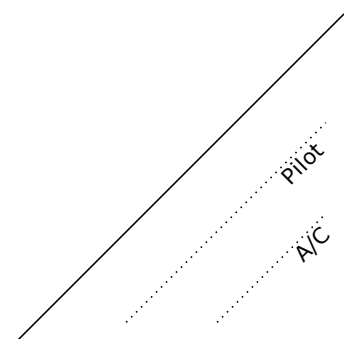


Sequence "A"		Form B
Pilot ID	CIVA Glider Advanced FreeUnknown	
	Fight #	



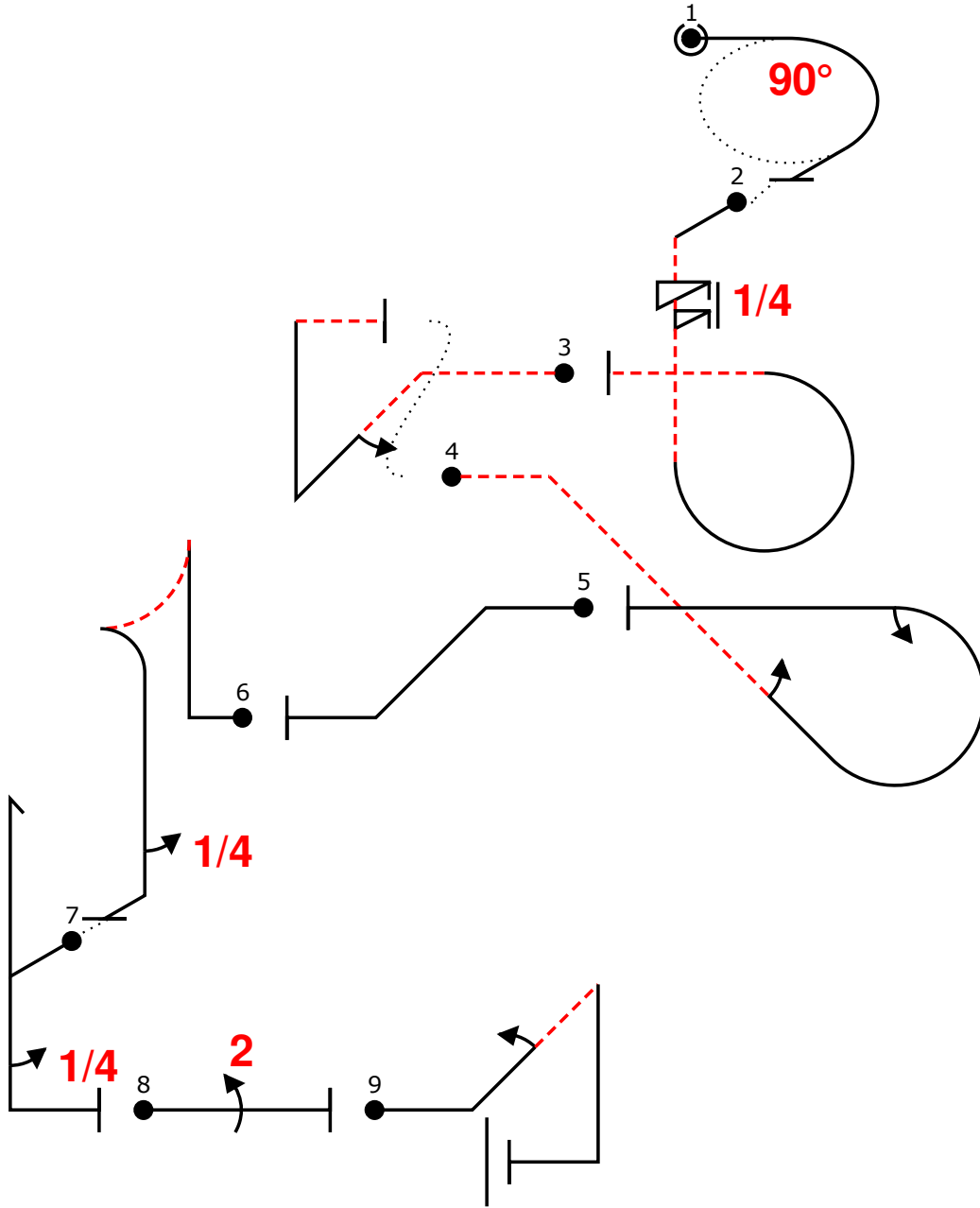
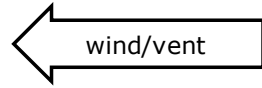
Glider			
Fig 1 C	8.6.3.3 9.11.1.5	13 6	19
Fig 2 Add.	2.1.1.2	4	5
Fig 3 E	1.2.3.4 9.1.4.2	12 6	18
Fig 4 A	8.5.4.4 9.1.4.2 9.1.3.2	11 6 6	23
Fig 5 Add.	1.1.2.3	7	5
Fig 6 B	1.2.3.1 9.1.2.2	12 9	21
Fig 7 D	6.2.2.1 9.1.5.1	17 3	20
Fig 8 F	5.2.1.1 9.1.5.1	17 3	20
Fig 9 G	1.1.1.1 9.2.3.4	2 14	16
Total K = 147 (max K = 160)			

Check: 30-7-2017 17:30 OpenAero 2017.2.1 2017 glider-civa advanced freeunknown Sequence is correct
 "@C" 5sirp~ "@L" -j- "@E" -2it- (3,10) "@A" -2irc2 "@L" id "@B" 2t (13,4) "@D" ita4 "@F" h4"@G" "@G" 22



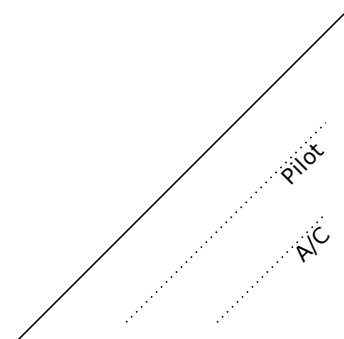


Sequence "B"		Form B
Pilot ID	CIVA Glider Advanced FreeUnknown	Fight #



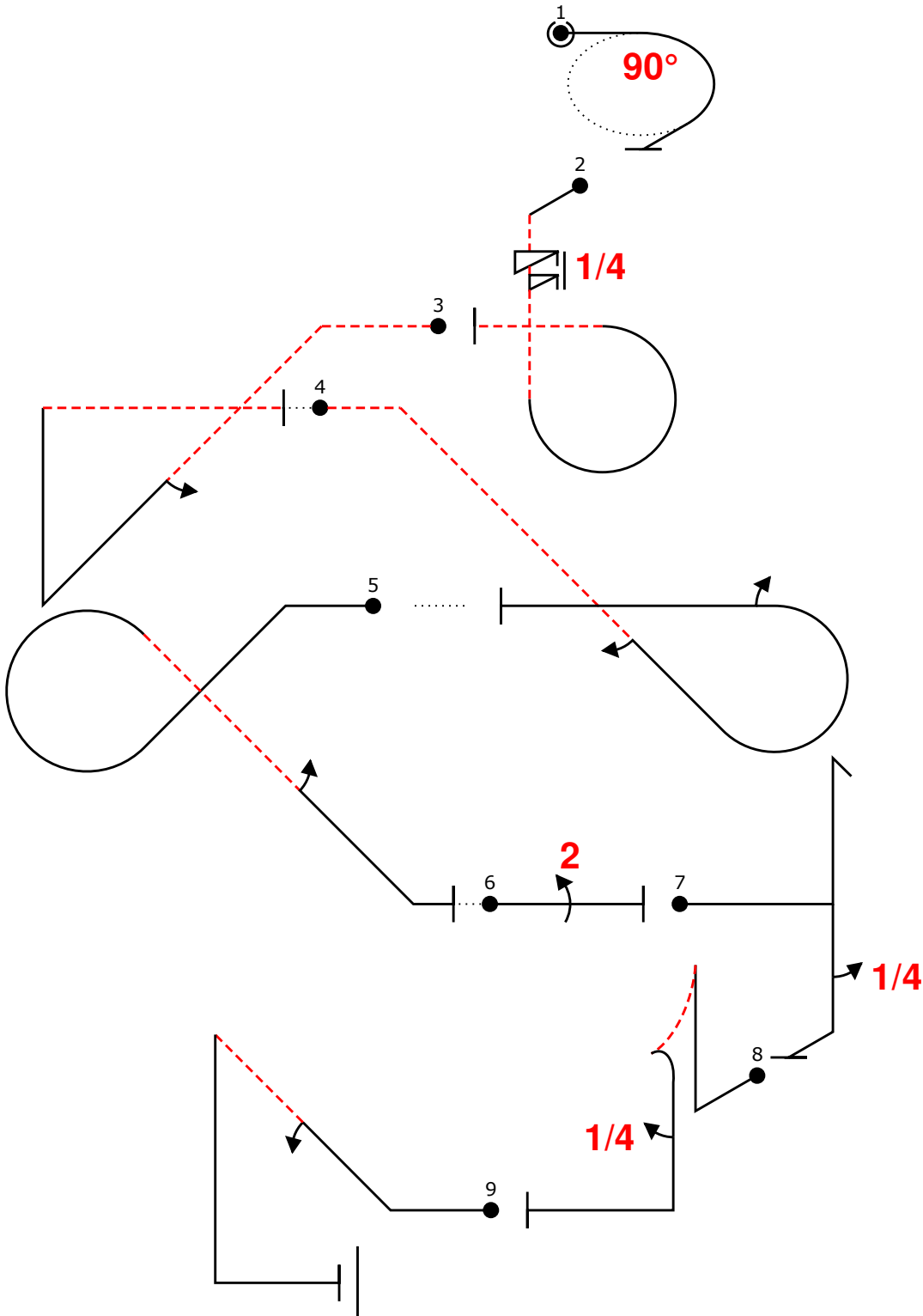
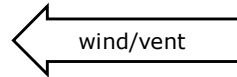
Glider			
Fig 1 Add.	2.1.1.1	3	5
Fig 2 C	8.6.3.3 9.11.1.5	13 6	19
Fig 3 E	1.2.3.4 9.1.4.2	12 6	18
Fig 4 A	8.5.4.4 9.1.4.2 9.1.3.2	11 6 6	23
Fig 5 Add.	1.1.2.3	7	5
Fig 6 D	6.2.2.1 9.1.5.1	17 3	20
Fig 7 F	5.2.1.1 9.1.5.1	17 3	20
Fig 8 G	1.1.1.1 9.2.3.4	2 14	16
Fig 9 B	1.2.3.1 9.1.2.2	12 9	21
Total K = 147 (max K = 160)			

Check: 30-7-2017 17:28 OpenAero 2017.2.1 2017 glider-civa advanced freeunknown Sequence is correct
 "0L" j (1,-1) "0C" Ssirp~ "0E" ~~-2it- (-1,7) "0A" -. '2irc2+' "0L" id "0D" ~~~~~+ita4+~~~~ (2,-1) "0F" h4 "0G" 22 "0B" 2t



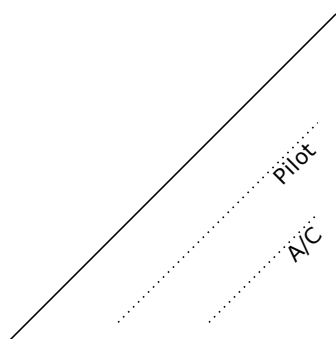


Sequence "C"		Form B
Pilot ID	CIVA Glider Advanced FreeUnknown	Flight #



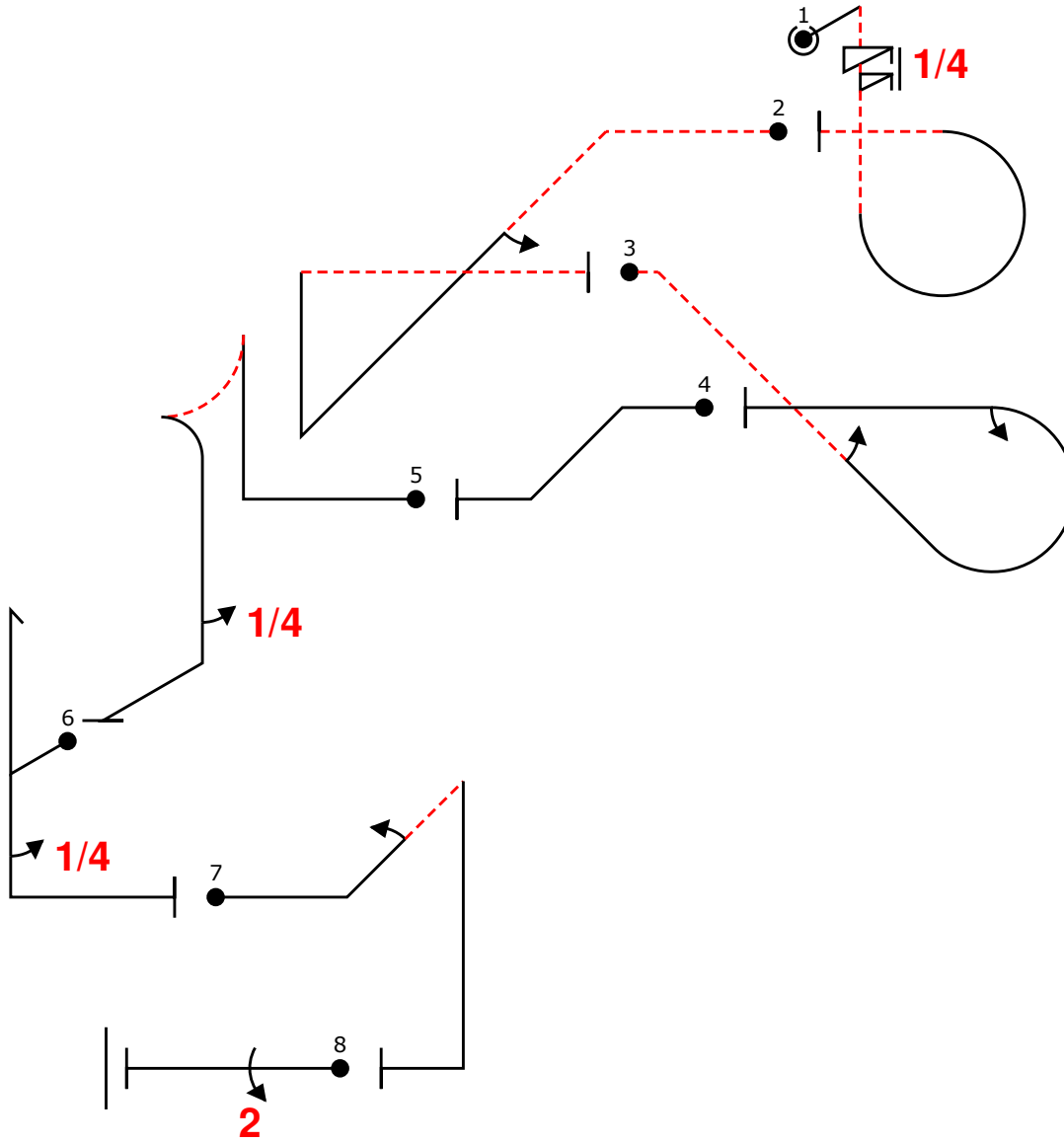
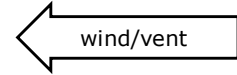
Glider			
Fig 1 Add.	2.1.1.1	3	5
Fig 2 C	8.6.3.3 9.11.1.5	13 6	19
Fig 3 E	1.2.3.4 9.1.4.2	12 6	18
Fig 4 A	8.5.4.4 9.1.4.2 9.1.3.2	11 6 6	23
Fig 5 Add.	7.3.3.3 9.1.4.2	14 6	5
Fig 6 G	1.1.1.1 9.2.3.4	2 14	16
Fig 7 F	5.2.1.1 9.1.5.1	17 3	20
Fig 8 D	6.2.2.1 9.1.5.1	17 3	20
Fig 9 B	1.2.3.1 9.1.2.2	12 9	21
Total K = 147 (max K = 160)			

Check: 30-7-2017 17:30 OpenAero 2017.2.1 2017 glider-civa advanced freeunknown Sequence is correct
 "@L" j (0,0) "@C" 5sirp~ 2% "@E" ~..2.'it'--- (-2,0) "@A" -..',,2.irc',|"2 (-3,0) "@L" 1% ig.2..+' (-2,0) "@G" 22 "@F" ~+h4' "@D" ~++ita''''',4'' 7% "@B" ~+2t



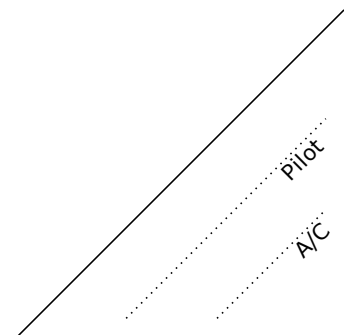


Sequence "D"		Form B
Pilot ID	CIVA Glider Advanced FreeUnknown	Flight #



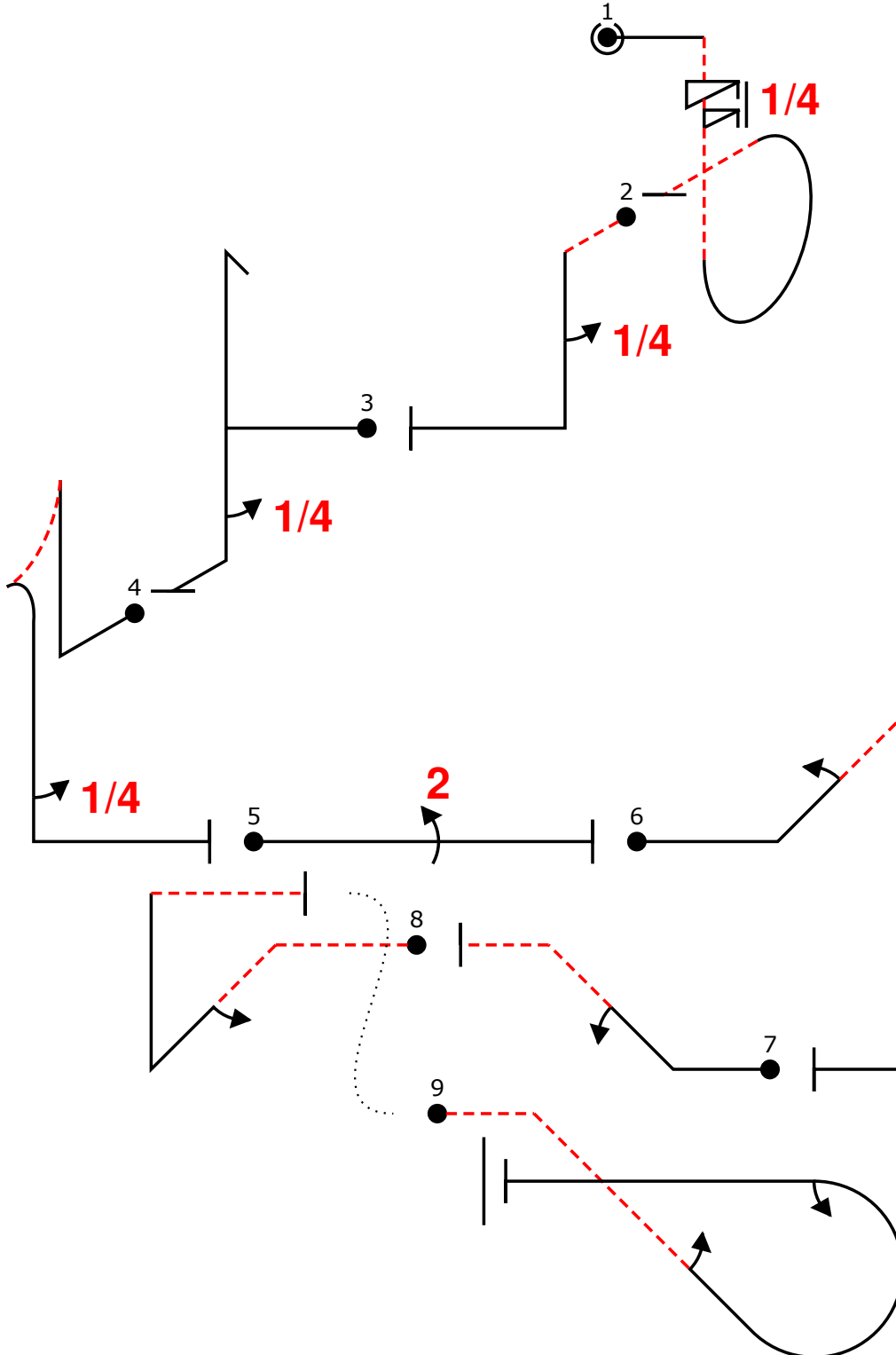
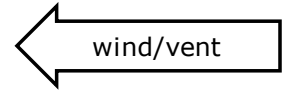
Glider			
Fig 1 C	8.6.3.3 9.11.1.5	13 6	19
Fig 2 E	1.2.3.4 9.1.4.2	12 6	18
Fig 3 A	8.5.4.4 9.1.4.2 9.1.3.2	11 6 6	23
Fig 4 Add.	1.1.2.3	7	10
Fig 5 D	6.2.2.1 9.1.5.1	17 3	20
Fig 6 F	5.2.1.1 9.1.5.1	17 3	20
Fig 7 B	1.2.3.1 9.1.2.2	12 9	21
Fig 8 G	1.1.1.1 9.2.3.4	2 14	16
Total K = 147 (max K = 160)			

Check: 30-7-2017 17:22 OpenAero 2017.2.1 2017 glider-civa advanced freeunknown Sequence is correct
 eja "@C" 5sirp> "@E" ---.2...it---- "@A" '---.2''irc2+'` "@L" -1% id' "@D" ita4 "@F" h4+- "@B" ~-2t.. "@G" 22~



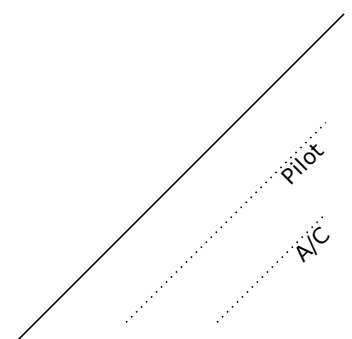


Sequence "E"		Form B
Pilot ID	CIVA Glider Advanced FreeUnknown	Fight #



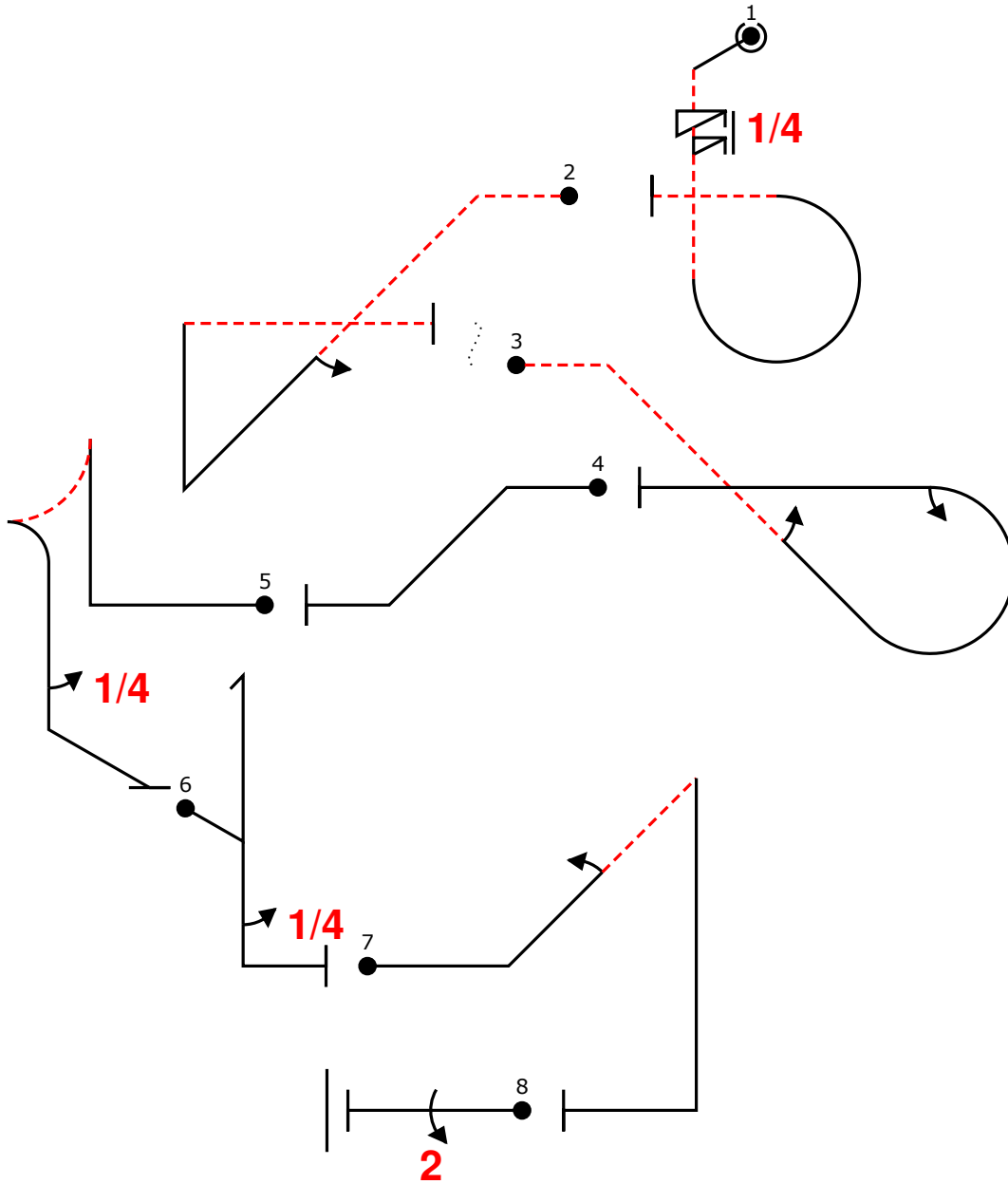
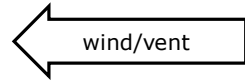
Glider			
Fig 1 C	8.6.3.3 9.11.1.5	13 6	19
Fig 2 Add.	1.1.7.4 9.1.5.1	9 3	5
Fig 3 F	5.2.1.1 9.1.5.1	17 3	20
Fig 4 D	6.2.2.1 9.1.5.1	17 3	20
Fig 5 G	1.1.1.1 9.2.3.4	2 14	16
Fig 6 B	1.2.3.1 9.1.2.2	12 9	21
Fig 7 Add.	1.1.3.1 9.1.2.2	7 9	5
Fig 8 E	1.2.3.4 9.1.4.2	12 6	18
Fig 9 A	8.5.4.4 9.1.4.2 9.1.3.2	11 6 6	23
Total K = 147 (max K = 160)			

Check: 30-7-2017 17:17 OpenAero 2017.2.1 2017 glider-civa advanced freeunknown Sequence is correct
"@C" 5sirp~ "@L" -iv4+ "@F" ~-h4 "@D" ""+ita4 "@G" .'22+ "@B" ~-2t...' "@L" d2- "@E" ~-2it-- (2,10) "@A" -2irc2



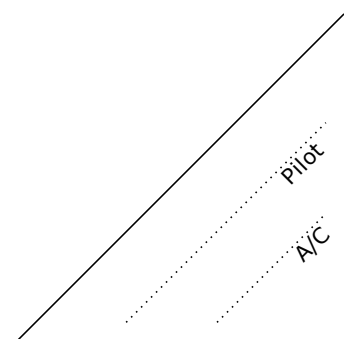


Sequence "F"		Form B
Pilot ID	CIVA Glider Advanced FreeUnknown	Fight #



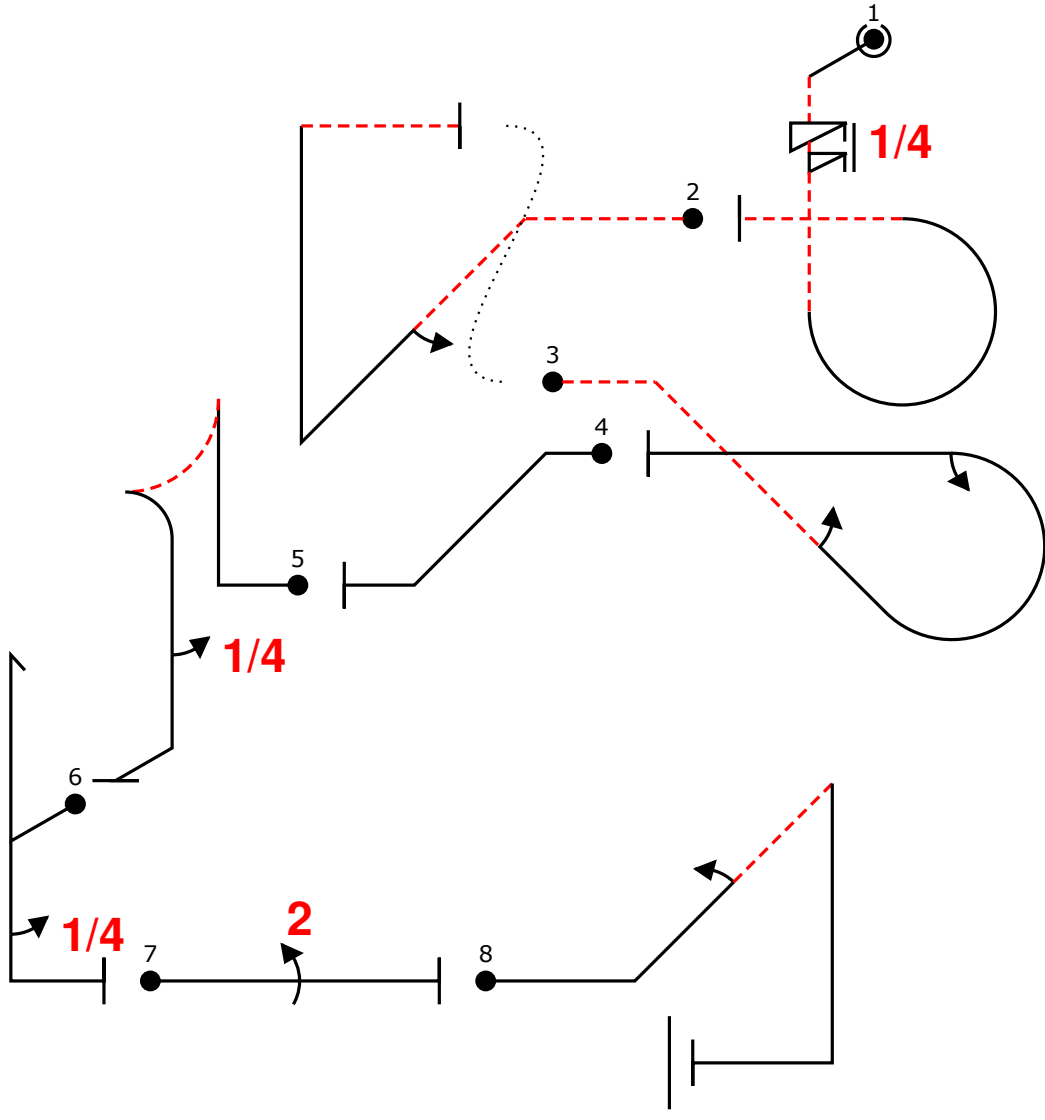
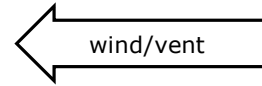
Glider			
Fig 1 C	8.6.3.3 9.11.1.5	13 6	19
Fig 2 E	1.2.3.4 9.1.4.2	12 6	18
Fig 3 A	8.5.4.4 9.1.4.2 9.1.3.2	11 6 6	23
Fig 4 Add.	1.1.2.3	7	10
Fig 5 D	6.2.2.1 9.1.5.1	17 3	20
Fig 6 F	5.2.1.1 9.1.5.1	17 3	20
Fig 7 B	1.2.3.1 9.1.2.2	12 9	21
Fig 8 G	1.1.1.1 9.2.3.4	2 14	16
Total K = 147 (max K = 160)			

Check: 30-7-2017 17:29 OpenAero 2017.2.1 2017 glider-civa advanced freeunknown Sequence is correct
 ej "@C" 5sirp-> (0,0) "@E" ...'2.'it----- (0,2) "@A" -'12''irc2 "@L" id "@D" /ita`4 "@F" h4 6% "@B" 2t'' "@G" 22



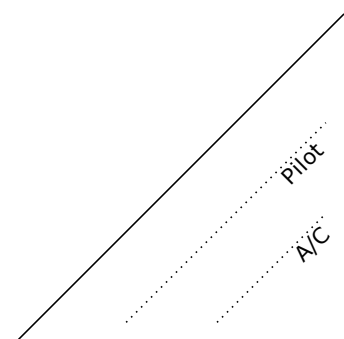


Sequence "G"		Form B
Pilot ID	CIVA Glider Advanced FreeUnknown	Flight #



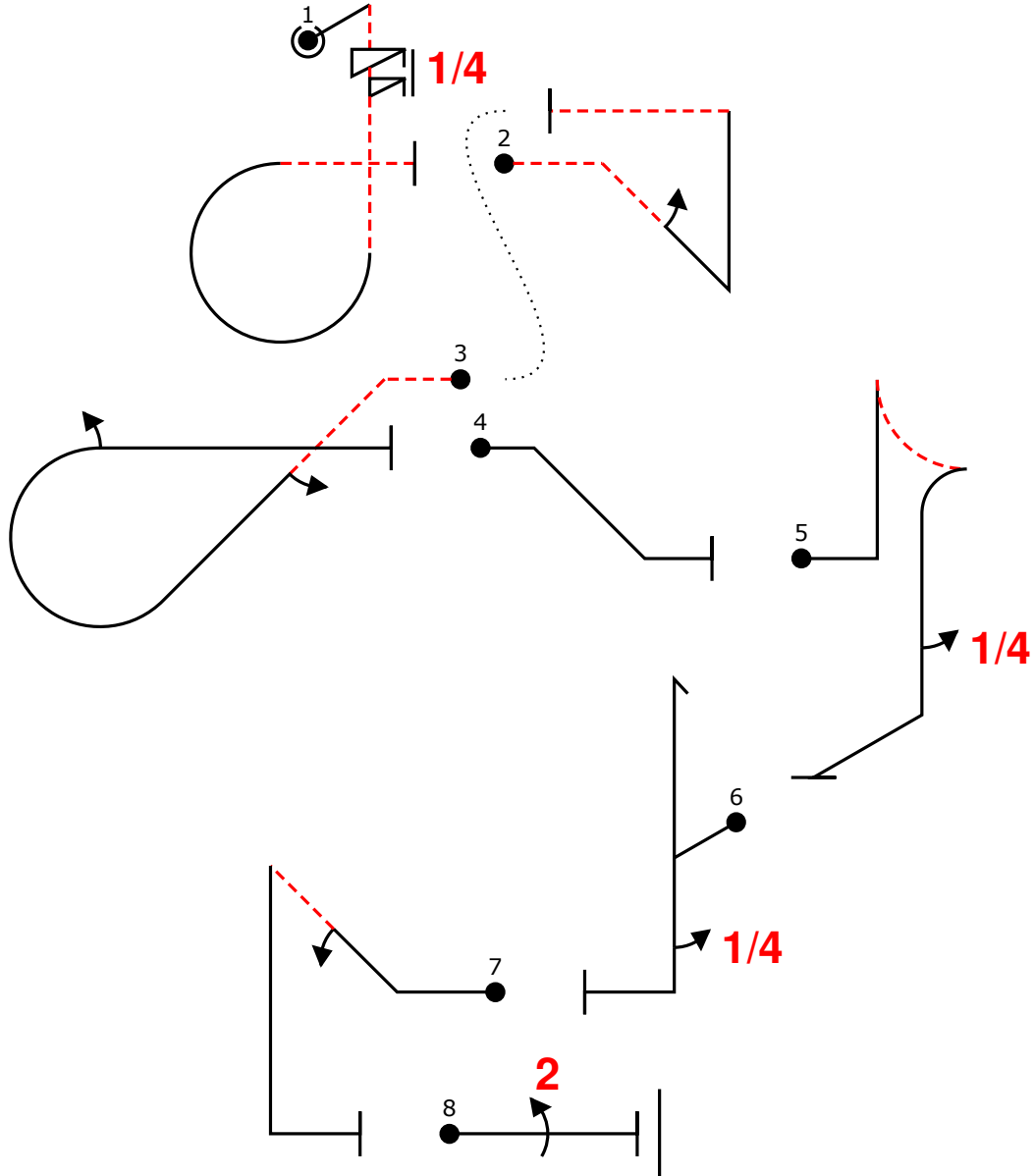
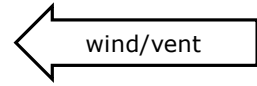
Glider			
Fig 1 C	8.6.3.3 9.11.1.5	13 6	19
Fig 2 E	1.2.3.4 9.1.4.2	12 6	18
Fig 3 A	8.5.4.4 9.1.4.2 9.1.3.2	11 6 6	23
Fig 4 Add.	1.1.2.3	7	10
Fig 5 D	6.2.2.1 9.1.5.1	17 3	20
Fig 6 F	5.2.1.1 9.1.5.1	17 3	20
Fig 7 G	1.1.1.1 9.2.3.4	2 14	16
Fig 8 B	1.2.3.1 9.1.2.2	12 9	21
Total K = 147 (max K = 160)			

Check: 30-7-2017 17:27 OpenAero 2017.2.1 2017 glider-civa advanced freeunknown Sequence is correct
 ej "@C" 5sirp-> 7% "@E" -2it- (0,11) "@A" -2irc2+ " @L" ''+id+ " @D" '''''+ita''4''+'''' " @F" h4 "@G" ''22~ "@B" 5% 2t



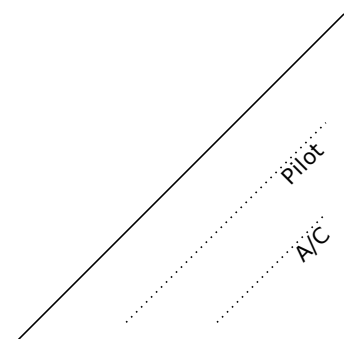


Sequence "H"		Form B
Pilot ID	CIVA Glider Advanced FreeUnknown	Fight #



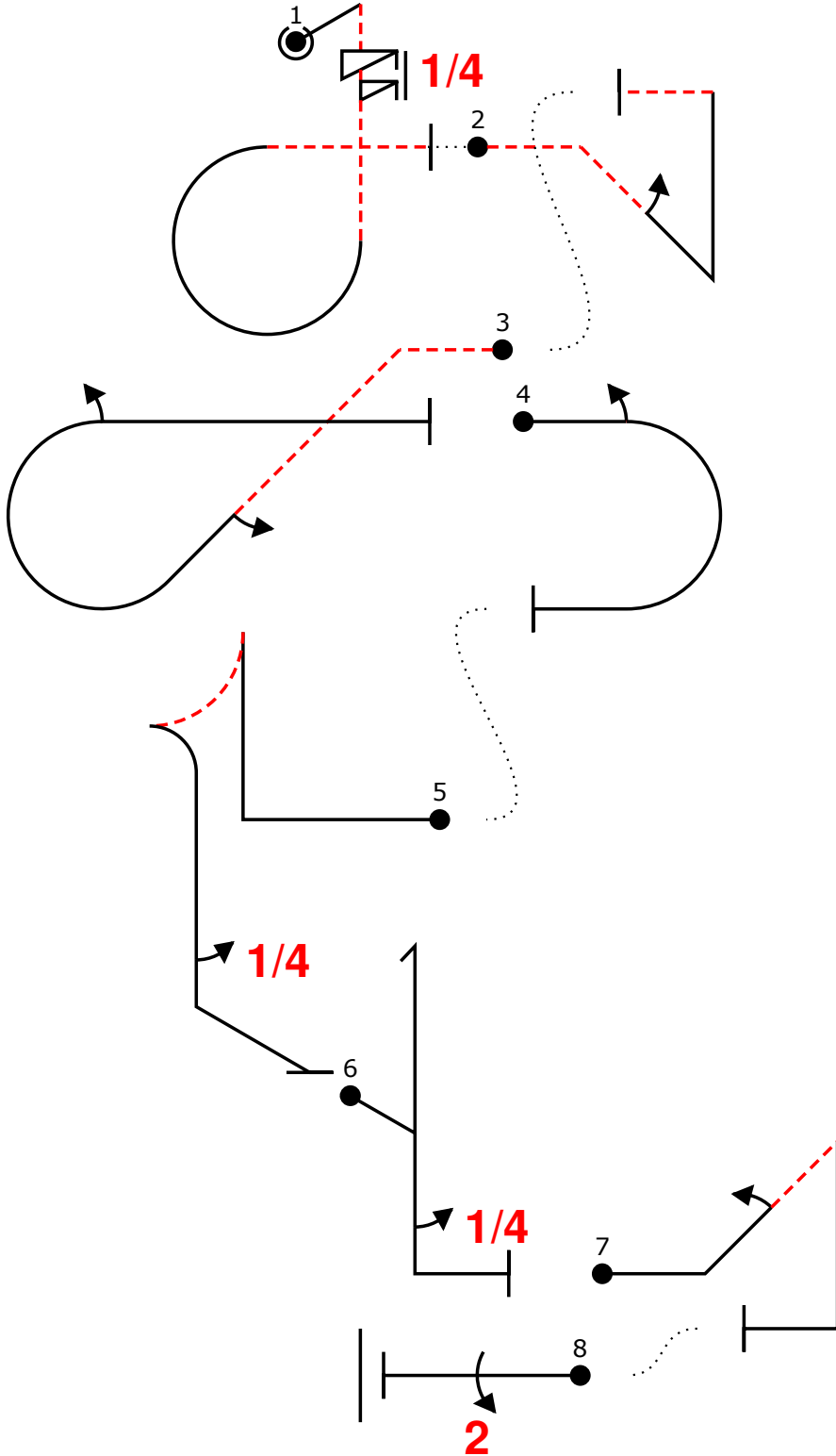
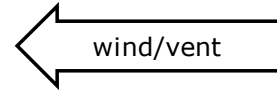
Glider			
Fig 1 C	8.6.3.3 9.11.1.5	13 6	19
Fig 2 E	1.2.3.4 9.1.4.2	12 6	18
Fig 3 A	8.5.4.4 9.1.4.2 9.1.3.2	11 6 6	23
Fig 4 Add.	1.1.2.3	7	10
Fig 5 D	6.2.2.1 9.1.5.1	17 3	20
Fig 6 F	5.2.1.1 9.1.5.1	17 3	20
Fig 7 B	1.2.3.1 9.1.2.2	12 9	21
Fig 8 G	1.1.1.1 9.2.3.4	2 14	16
Total K = 147 (max K = 160)			

Check: 30-7-2017 17:32 OpenAero 2017.2.1 2017 glider-civa advanced freeunknown Sequence is correct
 eja "@C" 5s'irp- "@E" 2> -2it--- (0,12) "@A" '-''''2.'irc2+' "@L" 2> ''id+' "@D" 2> ''''''+ita''4' "@F" 2> h4 "@B" 2> 2t.' "@G" 2
 > 22



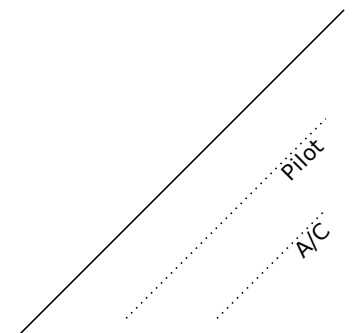


Sequence "I"		Form B
Pilot ID	CIVA Glider Advanced FreeUnknown	Fight #



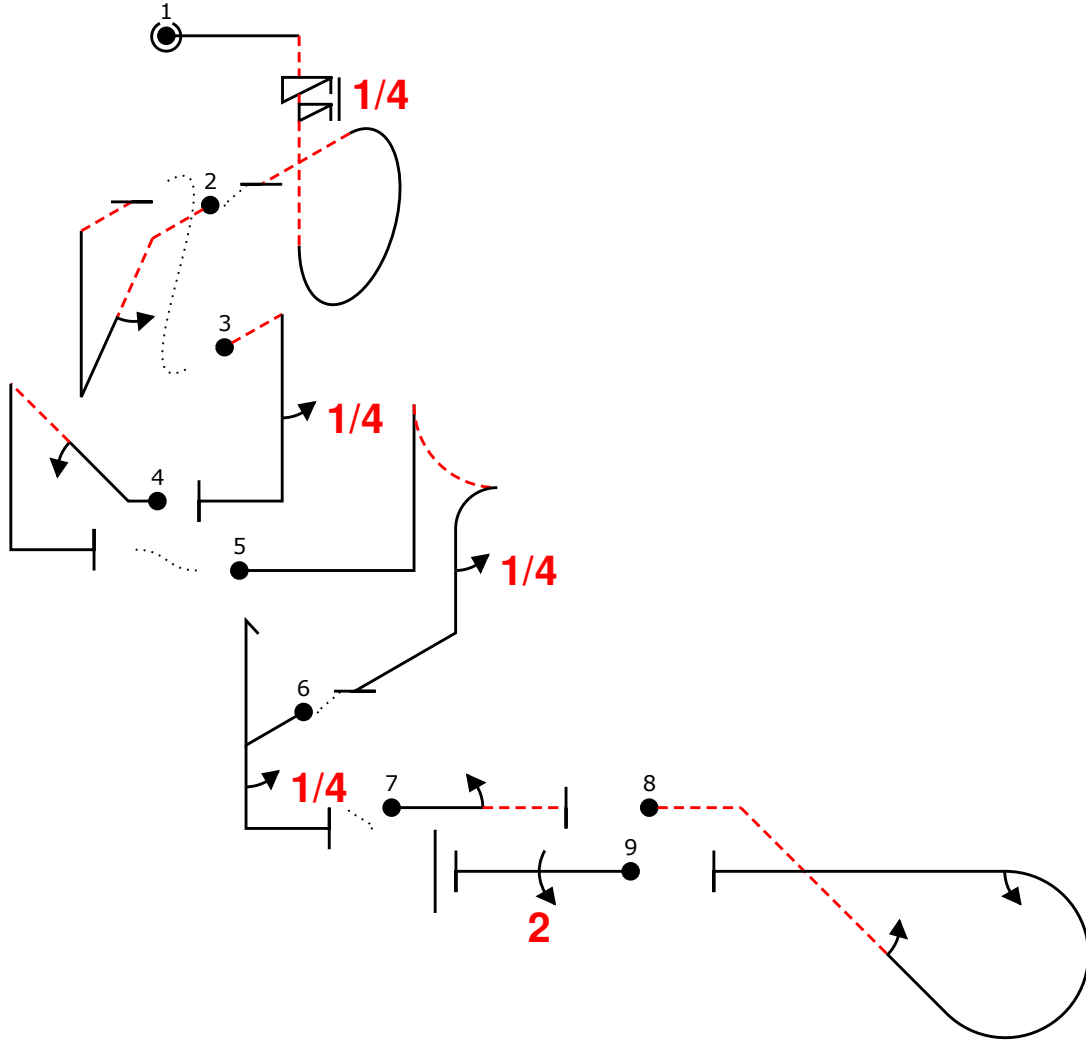
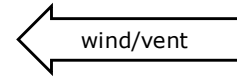
Glider			
Fig 1 C	8.6.3.3 9.11.1.5	13 6	19
Fig 2 E	1.2.3.4 9.1.4.2	12 6	18
Fig 3 A	8.5.4.4 9.1.4.2 9.1.3.2	11 6 6	23
Fig 4 Add.	7.2.3.3 9.1.3.2	6 6	10
Fig 5 D	6.2.2.1 9.1.5.1	17 3	20
Fig 6 F	5.2.1.1 9.1.5.1	17 3	20
Fig 7 B	1.2.3.1 9.1.2.2	12 9	21
Fig 8 G	1.1.1.1 9.2.3.4	2 14	16
Total K = 147 (max K = 160)			

Check: 30-7-2017 17:33 OpenAero 2017.2.1 2017 glider-civa advanced freeunknown Sequence is correct
 eja "0C" 5sirp-- (-2,0) "0E" -2it- (-1,11) "0A" -2irc2 (0,0) "0L" 2a (0,9) "0D" /ita4 "0F" h4 (0,0) "0B" 2t (-3,2) "0G" 22





Sequence "J"		Form B
Pilot ID	CIVA Glider Advanced FreeUnknown	Flight #



Glider			
Fig 1 C	8.6.3.3 9.11.1.5	13 6	19
Fig 2 E	1.2.3.4 9.1.4.2	12 6	18
Fig 3 Add.	1.1.7.4 9.1.5.1	9 3	5
Fig 4 B	1.2.3.1 9.1.2.2	12 9	21
Fig 5 D	6.2.2.1 9.1.5.1	17 3	20
Fig 6 F	5.2.1.1 9.1.5.1	17 3	20
Fig 7 Add.	1.1.1.3 9.1.3.2	2 6	5
Fig 8 A	8.5.4.4 9.1.4.2 9.1.3.2	11 6 6	23
Fig 9 G	1.1.1.1 9.2.3.4	2 14	16
Total K = 147 (max K = 160)			

Check: 30-7-2017 17:31 OpenAero 2017.2.1 2017 glider-civa advanced freeunknown Sequence is correct
 (0,7) "@C" ~-5sirp~ (1,-1) "@E" -2it- (1,9) "@L" -iv'4 "@B" ""+2t (3,1) "@D" ita'""4' (1,-1) "@F" ""h''4> (-1,-1) "@L" 2- (0,0) "@A" -2irc2 (0,0) "@G" 22

