

CIVA

FAI

AEROBATICS COMMISSION

WAGAC 2021

Form A

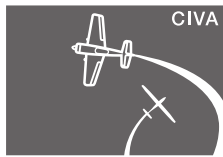
Pilot ID

Flight #

CIVA Glider Advanced Unknown3

No	Symbol	Cat. No.	K	Total K	Grade	Pos	Remarks	Item	K	Grade
1		7.2.3.3 9.1.3.2	6 6	Fig D 12	.			Pos.	15	
								Harm.	0	
2		8.6.5.1 9.4.3.4	11 17	Fig C 28	.			Fig K		Total K
								173	188	
Penalties										
3		8.6.20.1 9.4.3.2 9.8.3.2	13 8 11	Fig F 32	.			Too Low		
								Too High		
								Interruptions		
								Insertions		
								Trg Violation		
								Wing Rocks		
								Disqual Fig		
Other(note...)										
Final Freestyle										
5		7.3.3.3 9.4.4.2	14 8	Fig A 22	.			Duration	Min	Sec
Judges Details										
6		5.2.1.1	17	Fig G 17	.			Signature		
								Name		
								Number		
7		8.5.5.1 9.2.3.4	10 14	Fig B 24	.					
8		1.1.1.4 9.1.3.2	2 6	8	.					
9		8.6.13.1 9.1.5.1	13 3	Fig E 16	.					

 Pilot
 A/C



FAI

AEROBATICS
COMMISSION

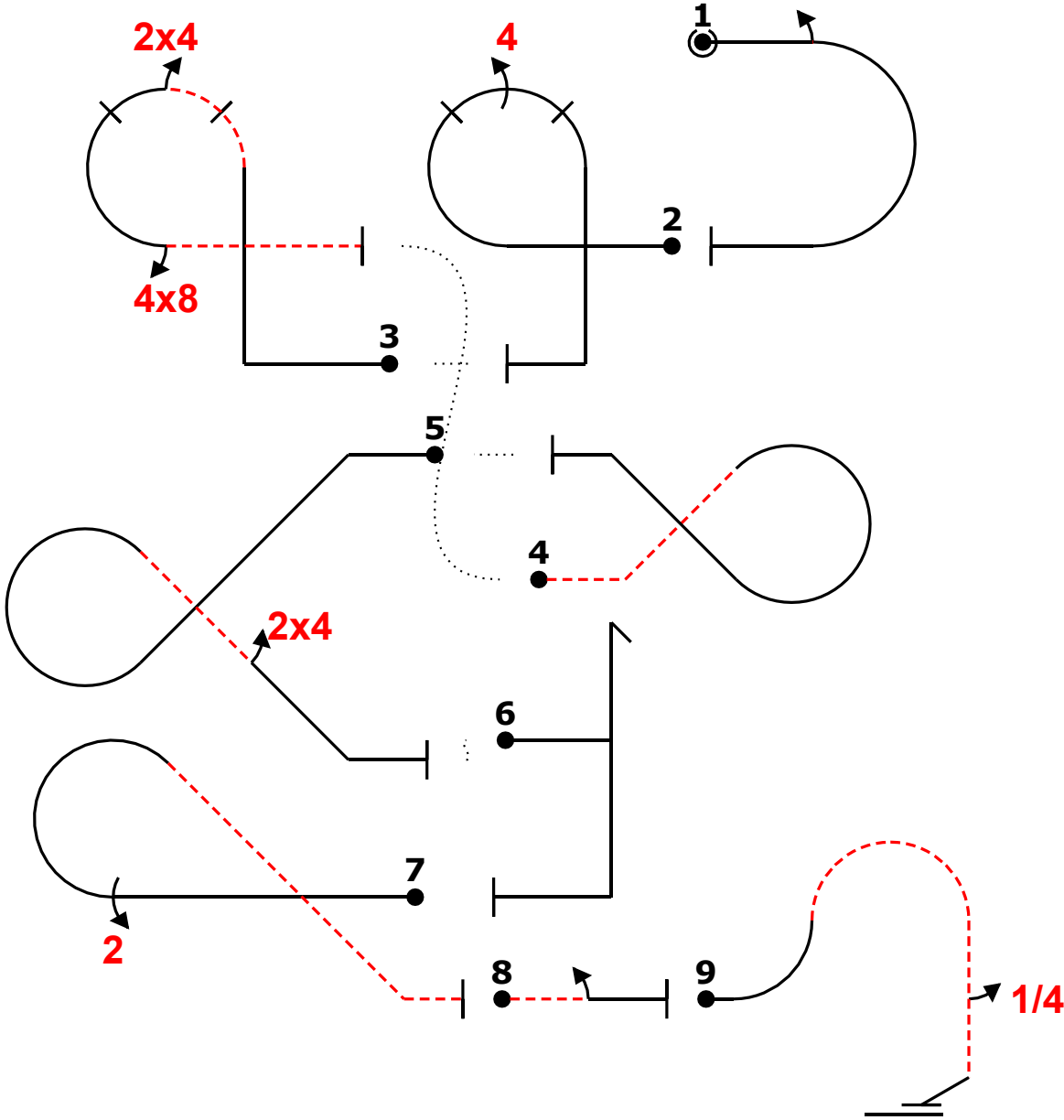
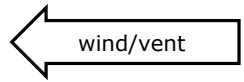
WAGAC 2021

Form B

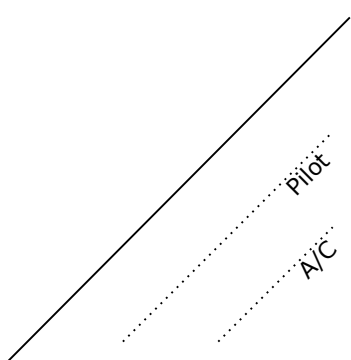
Pilot ID

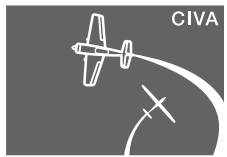
CIVA Glider Advanced Unknown3

Flight #



Glider			
Fig	Aresti	K	
1	7.2.3.3	6	12
D	9.1.3.2	6	
2	8.6.5.1	11	28
C	9.4.3.4	17	
3	8.6.20.1	13	32
F	9.4.3.2	8	
	9.8.3.2	11	
4	7.3.1.2	14	14
5	7.3.3.3	14	22
A	9.4.4.2	8	
6	5.2.1.1	17	17
G			
7	8.5.5.1	10	24
B	9.2.3.4	14	
8	1.1.1.4	2	8
	9.1.3.2	6	
9	8.6.13.1	13	16
E	9.1.5.1	3	
Total K = 173			
(max K = 167)			





FAI

AEROBATICS COMMISSION

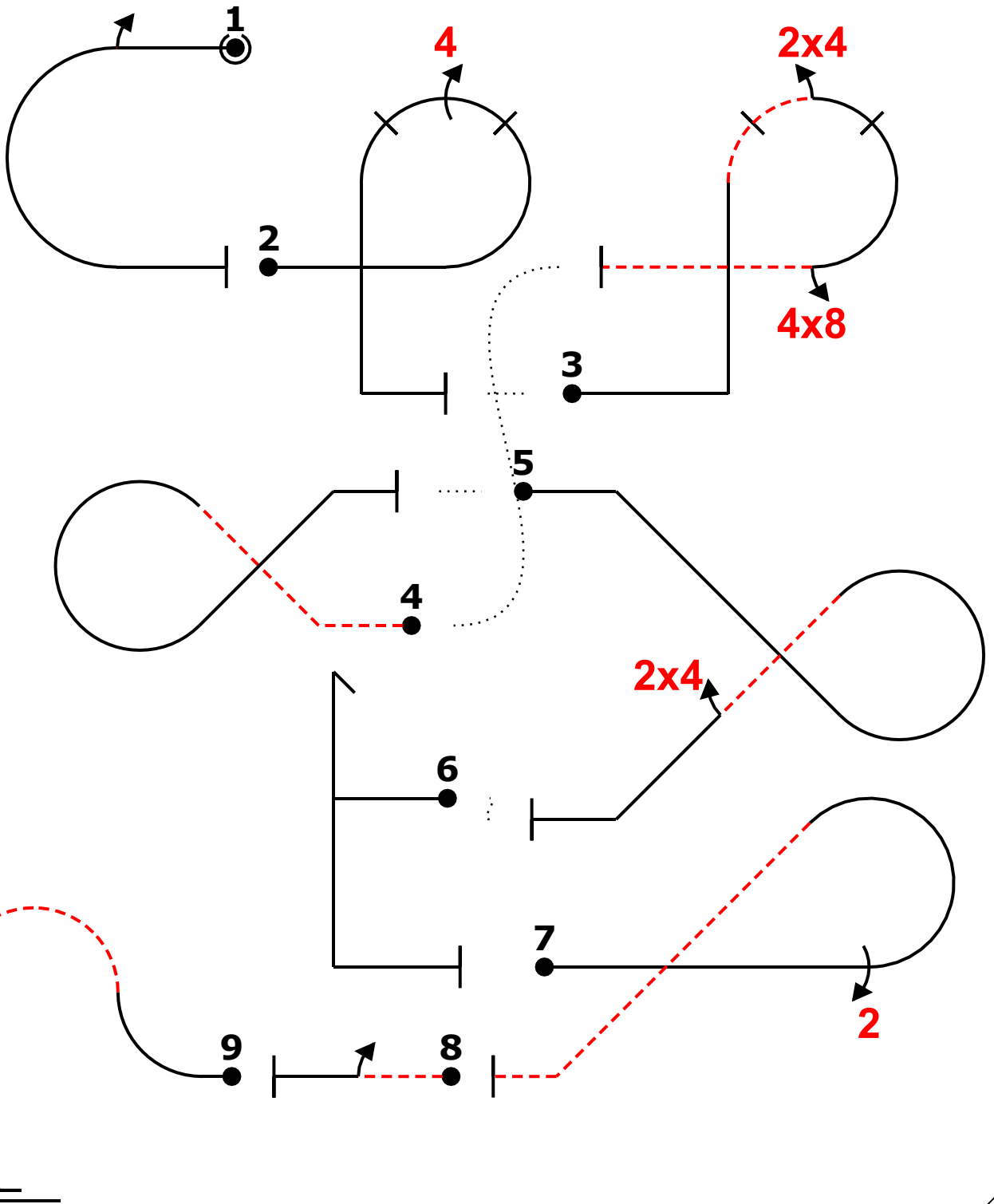
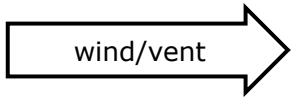
WAGAC 2021

Form C

Pilot ID

Flight #

CIVA Glider Advanced Unknown3



"@D" 3% 2a "@C" p(44) (-2,0) "@F" +rp(,24),48~ (5,17) "@L" -"g"+ (-2,0) "@A" .''ig24.''' (0,-1) "@G" ~''h''~ (0,0) "@B" ~+''22c.''' " @L" -2 "@E" ~''+pp4

Pilot
A/C